

# TECHNICAL DATA SHEET

## FSM636-150



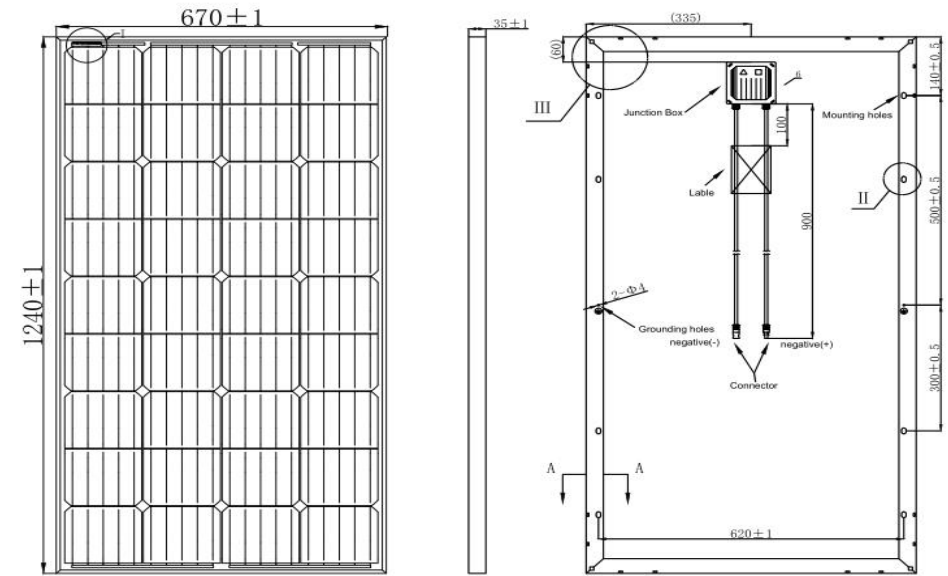
### Technical Data

Type	FSM636-150
Type of Solar Cell	Mono-crystalline, PERC
Number of Cells	36 pcs
Size of module	1240×670×35mm
Module, Weight	9.5 kg
Connector / Cross-Section	Junction Box
Cables, Length (+/-)	Customizable
Front Cover Glass	Safety Glass
Front Cover Glass, Thickness	3.2 mm
Frame	Anodized Aluminium

### Electrical Data

Maximum Power	$P_{MPP\ STC}$	150W
Power Tolerance	$\Delta_{STC}$	+ 3%
Maximum Power Voltage	$U_{MPP\ STC}$	18.9 V
Maximum Power Current	$I_{MPP\ STC}$	7.95 A
Open Circuit Voltage	$U_{OC\ STC}$	22.3V
Short Circuit Current	$I_{SC\ STC}$	8.79 A
Cell Efficiency	$\eta_{STC}$	21.0%
Maximum System Voltage	$U_{DC}$	1000 V

STC: Irradiance 1000 W/m<sup>2</sup>; Spectrum AM 1.5; Cell Temperature 25°C, Wind 0 m/s



### Temperature Coefficients

Power Coefficient	$\alpha_k (P_{MPP})$	-0.50±0.05%/K
Voltage Coefficient	$\beta_k (U_{oc})$	-0.35±0.01%/K
Current Coefficient	$\Phi_k (I_{sc})$	0.065±0.015%/K

### Power Warranty

- 10 years performance warranty to 90 %
- 25 years performance warranty to 80 %
- 5 years warranty against production and material defects

### Certifications

IEC 61215, IEC 61730 ,TUV, CE, ISO9001:2000

